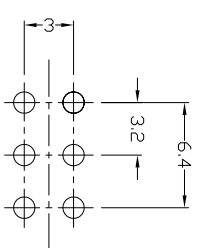
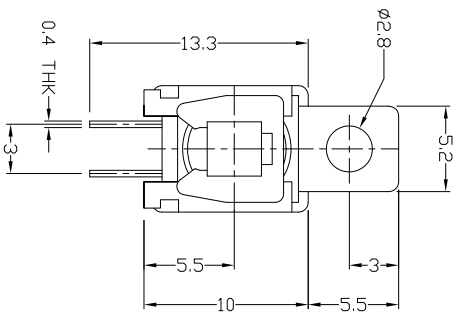
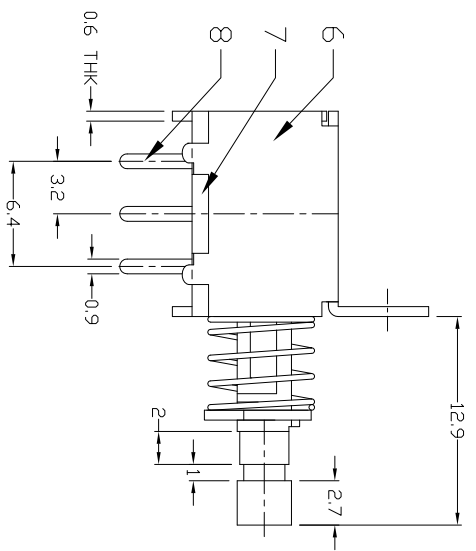
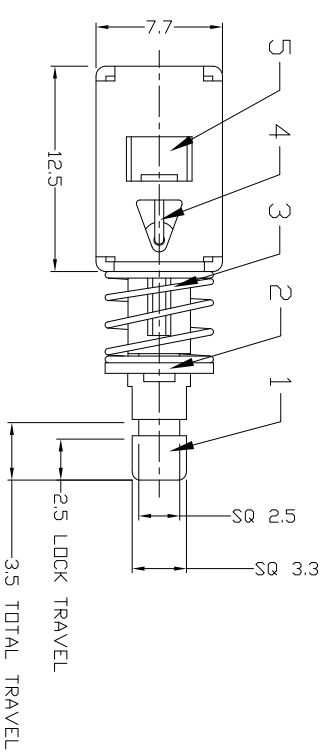
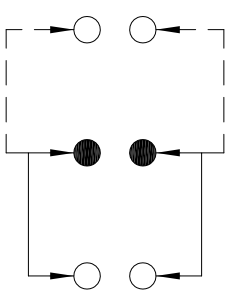


DIMENSIONS



P.C.B LAYOUT
BOTTOM VIEW



CIRCUIT DIAGRAM

ELECTRO-MECHANICAL CHARACTERISTICS

Refer to additional specifications

RATING	DC50V 0.3A
CIRCUIT	2P2T
CONTACT RESISTANCE	100mΩ MAX.
TIMING	NON-SHORTING
OPERATING MODE	SELF-LOCK
STROKE	TOTAL 3.5mm LOCK 2.5mm
OPERATING FORCE	250±100gf
OPERATING LIFE(cycles)	10,000

9	CONTACT CLIP	PBS STRIP	2	AQ PLATED	WITHIN 1.5mm:±0.1mm	UNITS	mm	DONGGUAN MINGJU ELECTRONICS CO.,LTD TITLE: PUSH SWITCH / HORIZONTAL PART NO.: PS-22F28L DWG NO.: PS-22F28L SCALE: 1/1
8	TERMINAL	BRASS STRIP	6	AQ PLATED	OVER 1.5mm:±0.2mm	MAT'L	SEE NOTE	
7	BASE	PHENOLIC RESIN	1	NATURAL		FINISH	SEE NOTE	
6	FRAME	STEEL STRIP	1	NI-PLATED		Q'TY	1	
5	SPRING PLATE	PBS STRIP	1	NATURAL		APP'D:	21	
4	CAM STICK	PBS WIRE	1	NATURAL		CHK'D:	21	
3	SPRING	STEEL WIRE	1	NI-PLATED		DR:	21	
2	BLOCK	STEEL STRIP	1	NI-PLATED		DATE:	2015/04/01	
1	KNDB	PA66	1	BLACK		REV:	A	
ND	PARTS	MATERIAL	Q'TY	FINISHING		CUSTOMER DRAWING		

REV.	ECN.	NO.	APPL.