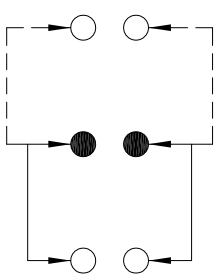
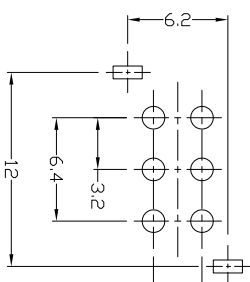
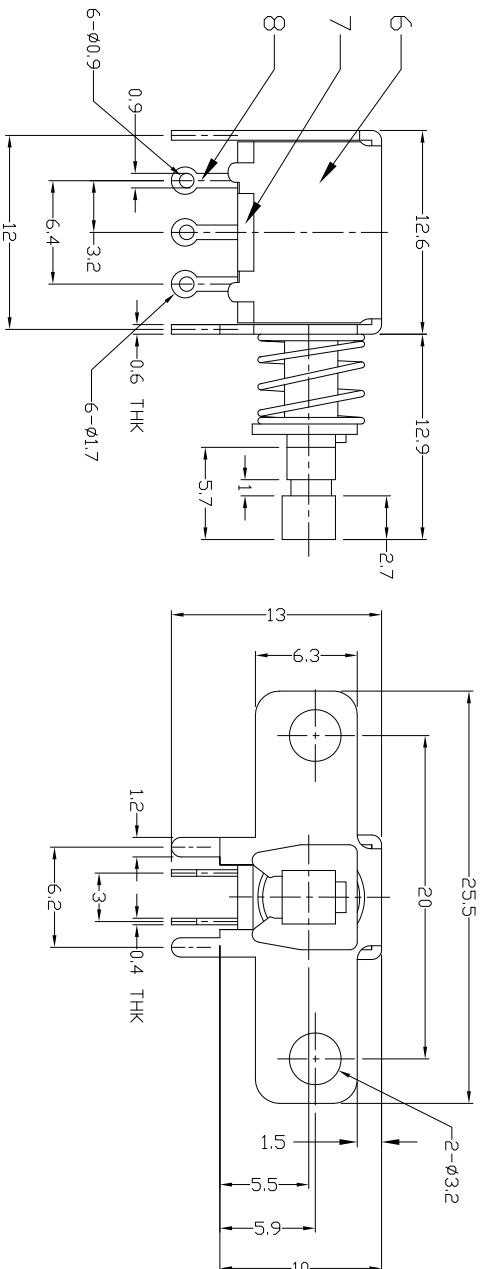
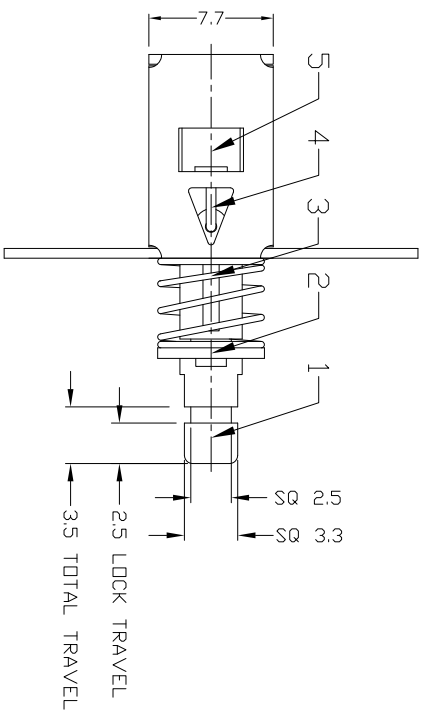




**RoHS**  
Compliant  
2002/95/EC

### DIMENSIONS



P.C.B LAYOUT  
BOTTOM VIEW

CIRCUIT DIAGRAM

### ELECTRO-MECHANICAL CHARACTERISTICS

Refer to additional specifications

RATING	DC50V 0.3A	
CIRCUIT	2P2T	
CONTACT RESISTANCE	100mΩ MAX.	
TIMING	NON-SHORTING	
OPERATING MODE	SELF-LOCK	AP-22F26L
	NON-LOCK	AP-22F32N
STROKE	TOTAL 3.5mm	LOCK 2.5mm
OPERATING FORCE	250±100gf	
OPERATING LIFE(cycles)	10,000	

9	CONTACT CLIP	PBS STRIP	2	AG PLATED
8	TERMINAL	BRASS STRIP	6	AG PLATED
7	BASE	PHENOLIC RESIN	1	NATURAL
6	FRAME	STEEL STRIP	1	NI-PLATED
5	SPRING PLATE	PBS STRIP	1	NATURAL
4	CAM STICK	PBS WIRE	1	NATURAL
3	SPRING	STEEL WIRE	1	NI-PLATED
2	BLOCK	STEEL STRIP	1	NI-PLATED
1	KNDB	PA66	1	BLACK
ND1	PARTS	MATERIAL	Q'TY	FINISHING

WITHIN 1.5mm±0.1mm  
OVER 1.5mm±0.2mm

**DONGGUAN MINGJU ELECTRONICS CO.,LTD**

TITLE: PUSH SWITCH / HORIZONTAL  
PART NO.: PS-22F26L&32N

UNITS	mm
MAT'L	SEE NOTE
FINISH	SEE NOTE
Q'TY	CHK'D: <i>Stacy</i> 2015/03/31
APP'D:	SCALE: 2:1
DWG NO.:	PS-22F26L&32N
REV.:	1/1
CUSTOMER DRAWING	

REV.	ECN.	NO.	APP'D.